

The RNE Series

Modular in Assembly Flexible in Use

Our modular power heads are designed to mount in any position. Their compact design saves you valuable machine space and can be mounted to our standard cast column, as seen in our RN tabletop series.

These power heads are available with a variety of options to enhance their function. We offer sensors to detect full retracted or extended position of the spindle.

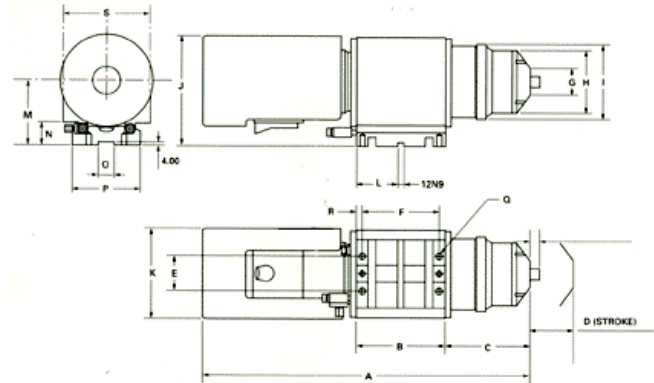
Our radial forming units can be automatically lubricated, eliminating periodic maintenance. No other competitor can make this claim.

We specialize in design of custom-made C-frame weldments and supporting tables to accompany each power head. We simply need to know your space and clearance requirements.



Individual Models and Performance Specs (2 tables)

Series	RNE 081	RNE 181	RNE 231	RNE 241
Shank Diameter Range (1010 Steel)	0.2-4mm 0.01-0.15"	0.2-6mm 0.01-0.25"	0.5-8.5mm 0.02-0.34"	0.5-8.5mm 0.01-0.34"
Maximum Downward Force (In Pounds)	500 @ 88 psi Pneumatic	1400 @ 88 psi Pneumatic	2800 @ 88 psi Pneumatic	2800 @ 2450 psi Pneumatic
Stroke Length Range	2-25mm	5-30mm	5-40mm	5-50mm
Motor HP @ 1700 RPM	1/8	1/3	1/2	1/2
Operating Voltages Available	120V 3 x 220V 3 x 440V	120V 3 x 220V 3 x 440V	3 x 220V 3 x 440V	3 x 220V 3 x 440V
CFM @ 80 PSI, Max. Stroke, 10 Sec. Cycle	0.18	0.44	1.52	N/A
Machine Weight Lb. (Not Crated)	45	70	100	45



Individual Dimensions

Series	RNE 081	RNE 181	RNE 231	RNE 241	RNE 281*	RNE 331*	RNE 381	RNE 381
A	416-441	534-564	561-601	566-616	642-682	750-800	741-791	899-989
B	94	132.5	125	100	1175	200	185	200
C	56-81	126-156	146-186	163-213	167-207	208-258	198-248	296-386
D	2-25	5-30	5-40	5-50	5-40	5-50	5-50	5-90
E	95	84	78	75	70	112	114	132
F	74	116.5	128	80	151	170	150	168
G	30	30	32	30	52	52	52	78
H	75	75	75	72	125	125	125	180
I	N/A	98	98	92	149	156	160	221
J	132.5	187	187	165	213	275	232	271
K	114	154	154	140	176	200	200	226
L	N/A	60	70	44	82	94	86.5	94
M	75	110	110	50	125	150	120	160
N	N/A	31	31	N/A	42	45	45	45
O	16H7	16N9	12N9	12N9	32H7	32H7	32H7	12N9
P	115	100	100	100	134	132	132	162
Q	M10	M10	M10	9 mm	M12	M12	M12	M16
R	10	8	12	10	12	15	17.5	16
S	115	127	150	93	172	230	165	222

All dimensions are in millimeters and are subject to change without written notice.

* Contact Baltec on RNE-281L and RNE-331L dimensions.

Date : 03.30.04