

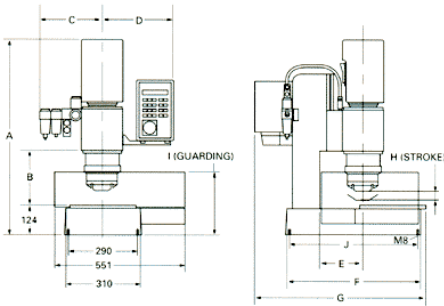
## The RNR, RNS and RNFS Series

### Three extensions of the RN Series theme.

The RNR includes a built-in index table. The RNS is a pedestal style machine designed for riveting long parts. The RNFS takes the pedestal style a bit farther - with a deep frame and compact arm design for riveting large or awkward assemblies. The RNFS riveter is also available without a floor stand (referred to as the RNF Series) or arm (referred to as the RNY Series).

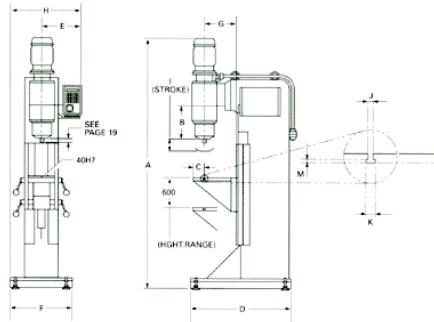


### RNR Individual Dimensions



| Series        | RNR 081 | RNR 181 | RNR 231 | RNR 281 |
|---------------|---------|---------|---------|---------|
| <b>A</b>      | 571-668 | 718-868 | 745-875 | 831-981 |
| <b>B</b>      | 75-172  | 186-336 | 186-316 | 231-381 |
| <b>C</b>      | 229.5   | 238.5   | 238.5   | 260     |
| <b>D</b>      | 1335    | 275     | 275     | 296     |
| <b>E</b>      | 75      | 130     | 130     | 625     |
| <b>F</b>      | 530     | 530     | 530     | 625     |
| <b>G</b>      | 580.5   | 715     | 715     | 763     |
| <b>H</b>      | 2-20    | 5-30    | 5-40    | 5-40    |
| <b>I</b>      | 266.5   | 266.5   | 266.5   | 349     |
| <b>J</b>      | 510     | 510     | 510     | 605     |
| <b>wieght</b> | 220 lb. | 280 lb. | 290 lb. | 440 lb. |

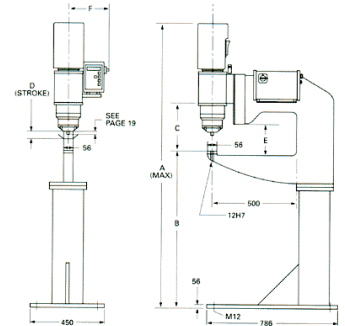
### RNS Individual Dimensions



| Series        | RNS 081 | RNS 181 | RNS 231 | RNS 281  | RNS 331  |
|---------------|---------|---------|---------|----------|----------|
| <b>A</b>      | 1804    |         | 1925    | 1945     | 2250     |
| <b>B</b>      | 126     |         | 166.5   | 198      | 296      |
| <b>C</b>      | 100     |         | 100     | 100      | 100      |
| <b>D</b>      | 606     |         | 606     | 606      | 896      |
| <b>E</b>      | 268     |         | 268     | 279      | 360      |
| <b>F</b>      | 456     |         | 456     | 456      | 556      |
| <b>G</b>      | 200     |         | 200     | 200      | 300      |
| <b>H</b>      | 496     |         | 496     | 496      | 588      |
| <b>I</b>      | 5-30    |         | 5-40    | 5-50     | 5-90     |
| <b>J</b>      | 10      |         | 10      | 10       | 12       |
| <b>K</b>      | 16      |         | 16      | 16       | 19       |
| <b>L</b>      | 15      |         | 15      | 15       | 22       |
| <b>M</b>      | 7       |         | 7       | 7        | 8        |
| <b>weight</b> | 880 lb. |         | 905 lb. | 1045 lb. | 3200 lb. |

CONSULT FACTORY

### RNFS Individual Dimensions



| Series        | RNFS 081  | RNFS 181  | RNFS 231  | RNFS 281  |
|---------------|-----------|-----------|-----------|-----------|
| <b>A</b>      | 1486-1586 | 1581-1731 | 1677-1807 | 1760-1910 |
| <b>B</b>      | 1000      | 1000      | 1042      | 1050      |
| <b>C</b>      | 124-224   | 173-323   | 200-330   | 235-385   |
| <b>D</b>      | 2-25      | 5-30      | 5-40      | 5-40      |
| <b>E</b>      | 135       | 182       | 212       | 165       |
| <b>F</b>      | 2219      | 233       | 233       | 234       |
| <b>wieght</b> | 528 lb.   | 660 lb.   | 693 lb.   | 925 lb.   |